



# **QUICKSTORE DEMOUNTABLE CONTAINER KOVOBEL HEIGHT 2600 mm**

USER`S MANUAL  
AND  
SPARE PARTS CATALOGUE



**KOVOBEL**, výrobní družstvo  
Cihlarska 503  
344 01 Domazlice  
CZECH REPUBLIC



Phone: +420 379 724 441  
Fax : +420 379 722 552  
E-mail: kovobel@kovobel.cz  
Internet: www.kovobel.cz

Edition: 01.2017

USER'S MANUAL AND SPARE PARTS CATALOGUE  
**QUICKSTORE DEMOUNTABLE  
CONTAINER KOVOBEL- HEIGHT 2600 mm**

---

**CONTENTS**

1. Usage .....	3
2. Description.....	3
2.1 Basic Parts .....	3
2.2 Accessories and Equipment.....	3
3. Work Safety.....	4
3.1 Assembly .....	4
3.2 Use .....	4
3.3 Handling .....	5
3.4 Dismantle.....	5
3.5 Scrapping .....	5
4. Technical Informations .....	6
4.1 Sizes .....	6
4.2 Weights.....	6
4.3 Weight Limits of Floor.....	6
5. Putting into Service.....	6
6. Operation .....	6
7. Maintenance .....	6
8. Building Requirements .....	7
8.1. Building requirements .....	7
8.2. Earthing of Container .....	7
9. Assembly .....	7
9.1 Content of Delivery .....	7
9.2 Assembly Tools .....	7
9.3 Process of Assembly .....	7
10. Dismantle and Back Assembly to Transport Position .....	10
10.1 Process of Dismantle.....	10
10.2 Assembly to Transport Position.....	10
11. Guarantee, Service, Spare Parts .....	12
12. Figures.....	13
..... 12.1 Vandal Bar .....	13
..... 12.2 Roof with lighting strip .....	14
..... 12.3 Drive-in ramp.....	14
..... 12.4 Covering opening between side wall and extention.....	15
13. Spare Parts Catalogue .....	16

## QUICKSTORE DEMOUNTABLE CONTAINER KOVOBEL- HEIGHT 2600 mm

### 1. USAGE

**QuickStore demountable containers KOVOBEL are used as storage rooms.**

- In containers can be stored materials, goods and substances with no special regulations for their storage.
- In containers must not be stored dangerous substances, as for example oil products, inflammable matters, explosives, toxic substances, acids etc., it means materials, goods or substances with special regulations for their storage.

### 2. DESCRIPTION

QuickStore demountable containers are supplied in four sizes and consist of following parts:

#### 2.1 Basic Parts

- **Floor**  
Is made out of wooden planks 35 mm thick bolted to galvanized steel supports of galvanized steel 2 mm thick  
Sides of the floor are fixed to horizontal steel supports, which are made out of galvanized steel 1 mm thick.
- **Side Wall**  
Is made out of corrugated galvanized steel 0,75 mm thick. Corrugated steel is riveted to steel supports, which are made out of galvanized steel 2 mm thick.
- **Extention of Side Wall**  
Is made out of corrugated galvanized steel 0,75 mm thick. Corrugated steel is riveted to steel supports, which are made out of galvanized steel 2 mm thick. On extention are bolted red connections made out of steel sheet 3 mm thick, galvanized and than powder coated.
- **Back Wall**  
Is made out of corrugated galvanized steel 0,75 mm thick. Corrugated steel is riveted to two steel supports (top & bottom), which are made out of galvanized steel 2 mm thick.
- **Roof**  
Is made out of corrugated galvanized steel 0,75 mm thick. This corrugated steel roofing is riveted to steel supports, which are made out of galvanized steel 2 mm thick. Side supports of the roof serve as gutters.
- **Double - Wing Door**  
Both wings are made out of 0,75 mm corrugated galvanized steel. These are riveted to steel supports of the door. Frames are made out of 1 mm thick galvanized steel. The door is secured by a pull draw lever, door handle, lock with plug and prevention against buckling. The door wings are attached to the frame with hinges. The frame is constructed of 2 mm thick galvanized steel supports. To each door wing is delivered separately door stopper 400 mm long.
- **Corner Angle**  
Is made out of 3 mm thick steel. It is galvanized and than powder coated. The corner angles are used to join parts of container (floor, side walls, extentions of side wall, roof) to transport position and for own assembly. Two outside corner angles are provided with pegs which are used for stacking containers in transport position.

#### 2.2 Accessories and Equipment

- **Roof with 770 mm wide lighting strip**  
To daylight inside space of the container is the strip of polycarbonate corrugated panel installed in the roof. This panel is compatible to the corrugated galvanized steel of the roof (see picture no. 11).  
**The lighting strip is not bearable for any person – it is a danger of falling through and injury.**
- **Air Grilles**  
If the increase of self –gravity (natural) ventilation is needed, the container can be equipped with air grilles, that are installed in container side walls. The air grille is made out of galvanized steel 1 mm thick and has got 20 vent holes with total surface 55 cm<sup>2</sup>. It is possible to fit into the side walls of the container one pair (2 pcs) or more pairs of air grilles.

## QUICKSTORE DEMOUNTABLE CONTAINER KOVOBEL- HEIGHT 2600 mm

- **Fork Guides**  
For cases when the fork lift truck doesn't have the forks long enough is possible to fit on the bottom of the floor fork guides to protect the floor against damage. Fork guides are made out of galvanized steel 2 mm thick.
- **Vandal Bar**  
For better protection against violent entry into the container is possible to install the vandal (safety) bar for one-wing or double-wing door (see picture no. 10).  
The holes for fitting of brackets for Vandal Bar are prepared in each container and covered with caps.
- **Door Stopper**  
It is possible to fit on each Door Wing folding Door Stopper 400 mm long to fix the Door Wing in open position.
- **Window**  
Can be fitted in the container side wall or back wall.  
Window frame is made out of the aluminium profiles, window panel is from clear plastic. Window panel is divided in two parts, one part is movable and in shut position is secured against opening. Window can be equipped with sheet shutters, that can be fixed either in open position against the wind gust or in closed position against opening from outside.
- **Drive-in ramp**  
Is made of anti-slip steel sheet 3 mm thick. Complete drive-in ramp is hot deep galvanized. Length of the ramp is 885 mm, width 1.000 mm, height 65 mm and weight is 29 kg. (see picture no. 12).

### 3. WORK SAFETY

KOVOBEL containers comply with all safety and hygiene standards, environmental and fire regulations in accordance with all rules and respective technical standards.

Basic principles of work safety during assembly, use and handling with container (see national regulations) are supplemented with following:

#### 3.1 Assembly

- KOVOBEL containers can only be assembled and used by persons aged 18 or older, in physical and mental order, who are certified with the assembly of containers and work safety.
- When assembling this unit it is necessary to line up individual parts in accordance with instructions in this manual and to ensure proper bolting and tightening of all joints.
- Due to very substantial parts, it is necessary to do the assembly with sufficient number of workers to prevent accident and injury. The number of assembly workers required is decided by customer, depending on size of the container & physical condition of workers, to ensure work safety. Roof has to be handled only with fork lift truck.
- When handling with the container parts are to be followed the regulations about work safety (using protective gloves).

#### 3.2 Use

- Containers can be used only for purposes designated in this manual. If it is used for another purpose, neither the manufacturer, nor supplier will be liable for any damages caused.
- Container is resistant against usual weather conditions (rain, snow).  
In case of using pressure water for container clearing in other directions to than up-down, the water could get into the container space and interfere the stored materials with water. If it is used pressure water for clearing of outside container surface, the producer is not responsible for the possible damages of stored materials.
- Container is made out of galvanized steel sheets and so it must not get in touch with materials for winter maintainance of roads (NaCl, CaCl<sub>2</sub>, MgCl<sub>2</sub>). These materials contain chlorine that reacts strongly with zinc and initiate corrosion. In the same way contact of galvanized surface of container with acids and lyes starts chemical reaction that generates heat and leads to immediate corrosion.
- As all sides of the container are made out of steel sheets and container can be placed in extreme climate conditions it is necessary to respect following facts:
  - in extreme high temperatures can the surface temperature reach over 60°C and so it is necessary to take preventive measures against damages of stored materials and burning of operator (using protective gloves),

## QUICKSTORE DEMOUNTABLE CONTAINER KOVOBEL- HEIGHT 2600 mm

---

- in extreme low temperatures (below -20°C) are potential risks of „sticking“ the skin to the steel surface (using protective gloves).
- Containers can be stacked in transport position.  
Stacking is used to save space by storage of non-used containers.
- In case of bad weather conditions – high wind gusts – is necessary to fix the door wings against unadvisable closing.
- For handling with materials inside the container can be used only hand operated manipulating devices, for example hand pallet truck, hand platform truck, hand cart etc.
- It is strictly **forbidden** to put any materials on the container roof.
- It is strictly **forbidden** any movement of persons on the container roof without necessary safety measures for work in heights.

### 3.3 Handling

- Containers can be handled with - fork lift truck
- Any handling of containers can be only done by certified operator (certification for fork lift truck).
- Handling of containers is done:
  - by unloading from the conveyance
  - by loading on the conveyance
  - by moving from one place to another.
- By handling with fork lift truck must the fork lift truck be equipped with proper forks (long enough) and before handling must be found centre of gravity of container as pre-condition for safety handling.
- It is **prohibited** to handle the container while people are inside.
- Handling of the assembled container is only permitted with locked doors.
- Container can be **transported** on the conveyance (truck, vagon, sea container) in transport position or assembled. In case of **transportation** in assembled position no material, goods or matters are allowed to be placed in the container.
- By transportation of containers on public roads are to be followed common regulations for forwarding.
- By **displacement** of container in assembled position out of public roads (usually on the company or building territory) is possible to leave stored material in the container in following conditions:
  - surface weight limit of floor – 500 kg/m<sup>2</sup> will be accepted
  - is accepted weight limit for handling container with fork lift truck - 3000 kg
  - stored material will be fixed against movement before handling of the container
  - for handling with container with material inside has to be used the fork lift with required lifting capacity
- Any handling of damaged container is **prohibited**.

### 3.4 Dismantle

- Before dismantling must be displaced all content of the container.
- Container can only be dismantled by persons certified with work safety regulations and with use of the tools for dismantling (usual maintenance tools).
- Due to very substantial parts, it is necessary to do the assembly with sufficient number of workers to prevent accident and injury. The number of assembly workers required is decided by customer, depending on size of the container & physical condition of workers, to ensure work safety.
- Handling with container roof (dismounting) is possible only using fork lift truck.
- When handling with container parts are to be followed the regulations about work safety (using protective gloves).

### 3.5 Scrapping

- Scrapping of parts of dismantled container must be done in accordance with environmental regulations.  
Comming out sorts of waste are:
  - steel scrap (roof, side wall, back wall, door, floor, vandal bar)
  - plastic waste (prevention against buckling, lighting strip of the roof)
  - wooden waste (floor).
- For right scrapping is responsible the owner of container and is supposed to be done at the end of working life of the container when the individual parts are no longer to be used.

**QUICKSTORE DEMOUNTABLE  
CONTAINER KOVOBEL- HEIGHT 2600 mm**

**4. TECHNICAL INFORMATIONS**

**4.1 Sizes**

Container	Measurements [mm]								
	Inside			Outside			Transport position		
	width	height	length	width	height	length	width	height	length
3 m	2.000	2.430	2.840	2.200	2.600	3.000	2.200	450	3.000
4 m	2.000	2.430	3.840	2.200	2.600	4.000	2.200	450	4.000
5 m	2.000	2.430	4.840	2.200	2.600	5.000	2.200	450	5.000
6 m	2.000	2.430	5.840	2.200	2.600	6.000	2.200	450	6.000

Entrance doorway to container, when door is open, is 1930 x 1930 mm in all types of containers.

**4.2 Weights**

Weights of individual container parts with <b>wooden floor</b> [kg]							Total weight of container [kg]
Container length	Side wall	Back wall	Door	Roof	Floor	Corner angle	
3 m	78	40	70	72	152	1	507
4 m	110	40	70	104	176	1	626
5 m	135	40	70	120	224	1	750
6 m	145	40	70	134	300	1	865

**4.3 Weight Limits of Floor**

Surface weight limit of floor	500 kg/m <sup>2</sup>
-------------------------------	-----------------------

**5. PUTTING INTO SERVICE**

The container can only be used, if it has been assembled according to this manual, by trained workers, carefully, with all joints firmly tightened and if no damage or other deformations have been found.

**6. OPERATION**

The container can only be used by adults authorised and trained. The handler must have read and understood this KOVOBEL Container Manual. Training is the responsibility of the owner/operator.

**7. MAINTENANCE**

Maintenance of the container consists of following activities:

- visual check of the container's condition (once a week)
- application of lubricator on hinges (if necessary)
- cleaning of drain (if necessary)

## 8. BUILDING REQUIREMENTS

### 8.1. Building requirements

- KOVOBEL containers must be positioned on level and compact or solid area. Placing on level area is necessary condition for proper function of door.
- Approach road to the container must correspond with method it is being used for.
- In placing of the container, it is necessary to take into account valid regulations for fire safety and that also with respect to the surrounding buildings.

### 8.2. Earthing of Container

- It is not necessary to earth the Container in common natural soil conditions.
- Earthing is required in case of bad contact of the Container with natural soil base.
- It is forbidden to use the container as shed (also temporary) for persons and animals in case of bad atmospheric conditions (thunderstorm, heat, frost).

## 9. ASSEMBLY

### 9.1 Content of Delivery

- QuickStore containers are delivered in transport position, unless agreed otherwise.
- In container in transport position is to be found:
  - User's Manual and Spare Parts Catalogue
  - three keys fitted with sticking tape on door
  - door stopper with self-trapping screws  $\varnothing$  4,2 x 22 mm – 2 pcs
  - plastic bag with following parts, needed for container assembly:
    - handle with arresting screw - 1set
    - bolt M 12 x 60 with hole - 8 pcs
    - cotter pin  $\varnothing$  2 x 50 - 8 pcs
    - washer  $\varnothing$  50,5 mm - 8 pcs
    - nut M 12 - 8 pcs
    - nail  $\varnothing$  3 x 30 - 2 pcs (in containers with steel floor are used instead of nails self-drilling screws  $\varnothing$  4,8 x 25 mm)
    - bolt M 12 x 30 for connection of side wall with extension of side wall:
      - 6 pcs for containers 2,25 and 3 meters long
      - 8 pcs for containers 4 meters long
      - 10 pcs for containers 5 and 6 meters long
- Second plastic bag with:
  - sheet corner 4 pcs
  - tapping screw TEX 4,2 x 9,5 mm 8 pcs
- It is necessary to assemble the container on a level solid area.

### 9.2 Assembly Tools

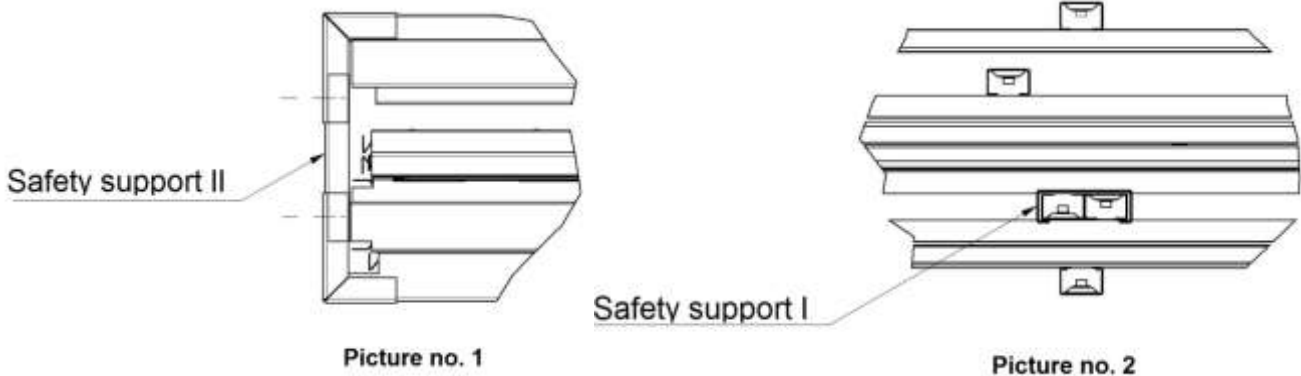
- Tools needed for assembly:
  - open spanner no. 19
  - ratchet spanner no. 19
  - hammer
  - screwdriver

### 9.3 Process of Assembly

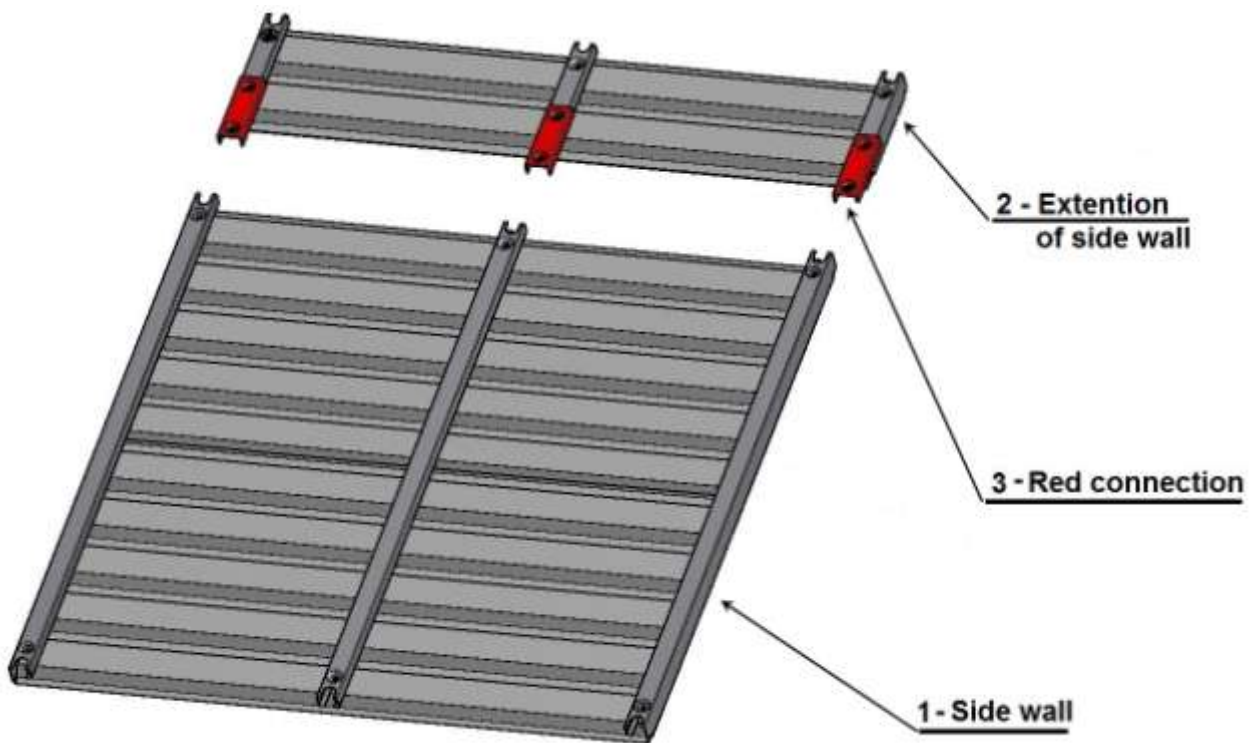
- Unscrew the top corner angles.
- Remove safety supports II – bolted to the corner angles (see picture no. 1)  
**(save for next possible assembly to transport position).**
- Remove safety supports I – are connecting the supports of side walls to prevent their sliding (see picture no. 2 )  
**(save for next possible assembly to transport position).**
- Remove of laid out transport position individual container parts (roof, door, back wall, extensions of side wall and side walls) and put them aside so you are left with only the floor.



**QUICKSTORE DEMOUNTABLE  
CONTAINER KOVOBEL- HEIGHT 2600 mm**



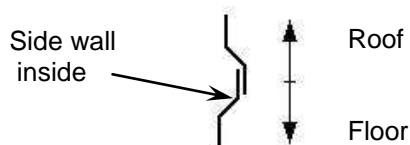
- Extension of side is to be connected with side wall in Red connections fixed on extension using bolts M 12 x 30 (see picture no. 3).



Picture no. 3

- Openings between outside profiles of side walls and extensions are covered with sheet corner angles (see picture no. 13 a 14)
- Attach **both side walls** with extensions into the horizontal steel supports („V“ shape) of the floor, set them in vertical position and bolt them through corner angles to the floor. If there is in any wall fitted door or window, it must be closed and fixed in the wall during assembly.

**WARNING:** The side walls must be positioned so that the joining of corrugated panels, which rung in the middle of the side wall, corresponds to the picture no. 4. (Towards the floor with labelling THIS SIDE DOWN). In the opposite case, water would come into the container.

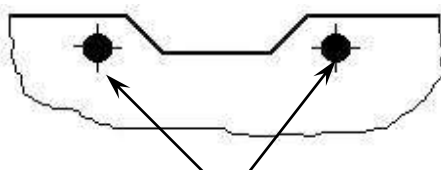


Picture no. 4



**QUICKSTORE DEMOUNTABLE  
CONTAINER KOVOBEL- HEIGHT 2600 mm**

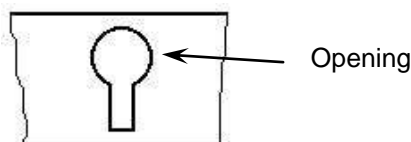
- The **back wall** is attached to side walls with extensions and floor. Back wall is seated from inside of the container. If there is in back wall fitted a window, it must be closed and fixed in the wall during assembly.
- **Complete door** (incl. frame) is attached between side walls with extensions and based in the same way as the back wall.  
Bottom part of the door frame is fitted down to the floor with two nails  $\varnothing 3 \times 30$ .  
Nails are in plastic bag and their placing is shown with two openings  $\varnothing 3,8$  mm, which are in the middle of the bottom part of the frame (see picture no. 5).  
To each door wing is screwed with self-tapping screws the door stopper.  
Right position of door stopper regarding to surrounding terrain is shown on the sticker placed on bottom part of door wing.



Nails  $\varnothing 3 \times 30$  / Self-drilling screws  $\varnothing 4,8 \times 25$  mm

**Picture no. 5**

- The **roof** sits over the side walls with extensions and over the back wall and door. The roof is bolted to the extensions of side wall through the corner angles.
- **Measures** to avoid dismounting of container from outside:
  - Side wall in bottom part is bolted to corner angle in round opening using bolt M 12 x 60 mm with hole, washer  $\varnothing 50,5$  mm, nut M 12 and cotter pin  $\varnothing 2 \times 50$  mm (parts from plastic bag)
  - Side wall in upper part is bolted to Red Connection in round opening using bolt M 12 x 60 mm with hole, washer  $\varnothing 50,5$  mm, nut M 12 and cotter pin  $\varnothing 2 \times 50$  mm (parts from plastic bag)
  - Bolt M 12 x 30 with nut M 12 holding Red Connection on extension of side wall in round opening in bottom part of extension (safe for back assembly to transport position) is replaced with bolt M 12 x 60 mm with hole, washer  $\varnothing 50,5$  mm, nut M 12 and cotter pin  $\varnothing 2 \times 50$  mm (parts from plastic bag)
  - Extension of side wall in upper part is bolted to corner angle in round opening using bolt M 12 x 60 mm with hole, washer  $\varnothing 50,5$  mm, nut M 12 and cotter pin  $\varnothing 2 \times 50$  mm (parts from plastic bag)
- **Both door wings** are supplied with plastic supports to prevent the door from opening too wide and being damaged. On one end of the plastic support there is a stopper made of galvanized steel. Stopper should be inserted into the shaped opening, which is cut in the roof supports (see picture no. 6). Plastic support is placed on the top part of the door. Now attach handle which is secured with arresting screw.
- **Sheet corner** covering opening between End profile of Side wall and End profile of Extension of Side wall is fitted with two tapping screws TEX 4,2 x 9,5 mm after container assembly.



**Picture no. 6**

**!!! All bolt joints must be firmly tightened !!!**

**Container must be after assembly leveled using builder's level mainly to provide proper function of door!!!**

## QUICKSTORE DEMOUNTABLE CONTAINER KOVOBEL- HEIGHT 2600 mm

### 10. DISMANTLE AND BACK ASSEMBLY TO TRANSPORT POSITION

#### 10.1 Process of Dismantle

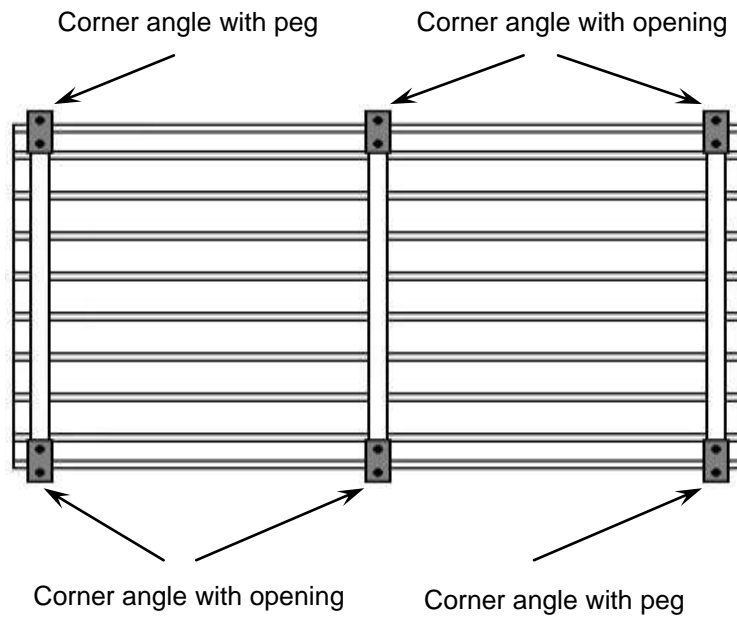
- Containers are dismantled back to transport position mainly for following reasons:
  - saving of space by storage – it is possible to stack up to six containers
  - easier and cheaper transportation.
- Containers are to be dismantled on flat compact surface.
- Before dismantling of the container it is necessary to remove from inside space all stored materials and other extraneous matters.
- For dismantling of the container are needed these tools:
  - open spanner no. 19
  - ratchet spanner no. 19
  - hammer
  - screwdriver
  - combined pliers
- First are dismantled 4 pcs of Sheet corners covering the openings according to pic.no. 13. Corners and tapping screws TEX 4,2 x 9,5 mm must be saved for next assembly.
- Two **plastic supports**, used to prevent the door wings from opening too far and damaging them, are dismantled by the loose end of the plastic support with stopper being unhooked from the opening, which is cut into the roof support (gutter) as shown on picture no. 6.
- The screw-secured door handle is removed from the **door** and the door stopper are unscrewed.
- Before removing the **roof** the top corner angles must be dismantled. Before unscrewing the bolt M 12 x 60 mm with hole which is used to secure the side wall with extension to corner angle, the cotter pin  $\varnothing 2 \times 50$  mm must be removed from inside the container. After this dismantle the bolt connection. The roof is then lifted over side walls with extensions and over back wall and door. Handling with roof is possible only using fork lift.
- **Back wall** is lifted from side walls with extensions. Back wall is removed from inside of the container.
- The **complete door** (incl. frame) is lifted from side walls with extensions and floor in the same way as the back wall from inside of the container.  
Bottom part of the frame is fastened with two nails  $\varnothing 3 \times 30$  in the middle to the floor (see picture no. 5). The nails are removed with help of screwdriver and pliers.
- The **side walls with extensions** have to be dismantled from corner angles. Four bolt joints M 12 x 60 mm with hole, which are used for securing the sides with extensions to corner angles and Red connections, are removed after undoing safety nuts from inside the container. Bolts are not needed for dismantle position, but they are saved for future re-assembly.  
Side walls with extensions of the container are lifted from corner angles and floor supports.  
Extensions of side walls with Red connections are disconnected from side wall. Red connections remain fitted on extensions (see picture no. 3).

#### 10.2 Assembly to Transport Position

- For assembly of the container to transport position are required the parts, noticed in article 9.3 to be saved for back assembly of the container to transport position:
  - securing support I - 4 pcs
  - securing support II - in number according to the container size (for each corner angle connection – 1 pc)
  - bolt M 12 x 30 - 8 pcs (replaced during container assembly with bolts M 12 x 60 mm with hole).
- For right assembly of container to transport position is also strapping instrument needed.
- The parts fitted out in dismantling (screw-secured door handle, eight bolts M 12 x 60 mm with hole, eight washers  $\varnothing 50,5$  mm, eight nuts M 12, eight cotter pins  $\varnothing 2 \times 50$  mm, six to ten bolts M 12 x 30 for connection the extension of side wall with side wall and keys) are to be saved for back assembly of the container.  
For back assembly are also two nails  $\varnothing 3 \times 30$  needed, as they could be destroyed.
- Assembly of the container into transport position is done by folding dismantled parts as follows (see pictures no. 7 and 8):
  - A side wall (inside down) onto the floor.
  - The other side wall (outside down) on top of the first one. Bearer supports are put together and secured with securing support I, as shown in picture no. 7.
  - On left and right edge of side wall are laid extensions of side wall (profiles up) with Red connections oriented inside the container (must not go over the outline of container).
  - On profiles of extensions of side walls is laid the door and on it the back wall.



**QUICKSTORE DEMOUNTABLE  
CONTAINER KOVOBEL- HEIGHT 2600 mm**



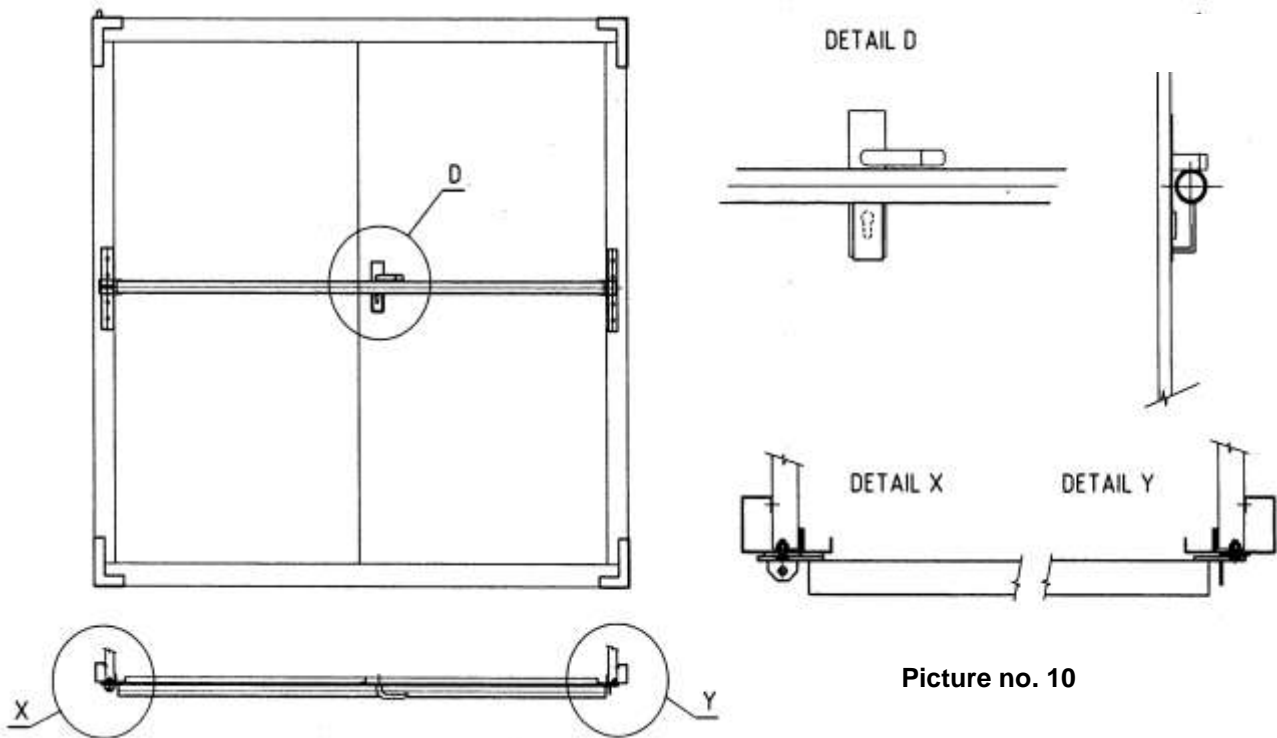
**Picture no. 9: Top view on the container in transportation position**

## 11. GUARANTEE, SERVICE, SPARE PARTS

- The producer grants a 12-month-guarantee. Responsibility for defects and guarantee is followed in accordance with regulations of commercial and civil law.
- Any repairs during the guarantee period as well as after it must be carried out by the producer.
- For ordering of spare parts, the Catalogue of spare parts should be used.
- Spare parts are delivered after proper order, where following points are stated:
  - name and address of the purchaser,
  - information for correspondence and banking contact,
  - name and length of Kovobel container,
  - accurate description of the part wanted as stated in the Catalogue,
  - number of parts and term of delivery,
  - way of transportation.

**12. FIGURES**

**12.1 Vandal Bar**



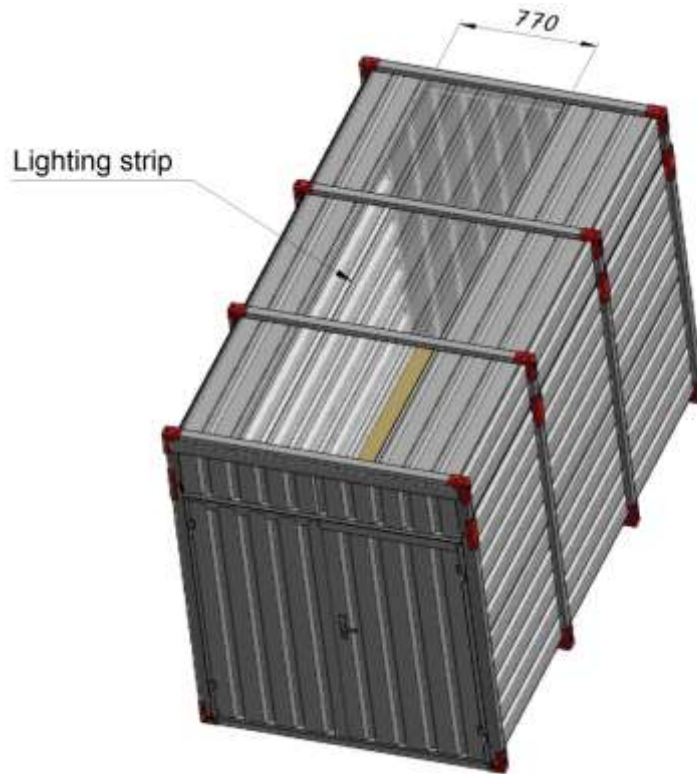
**Picture no. 10**

**Parts for vandal bar**

Position	Part	Order no.	Number for 1 set
1	Holder I	915 129	1
*2	*Bar for double wing door	*915 126	*1
*3	*Bar for one wing door	*914 821	*1
4	Holder II	915 130	1
-	Carriage bolt M8 x 25	280 500	8
-	Nut M8	290 500	8
-	Washer 8,4	310 700	8

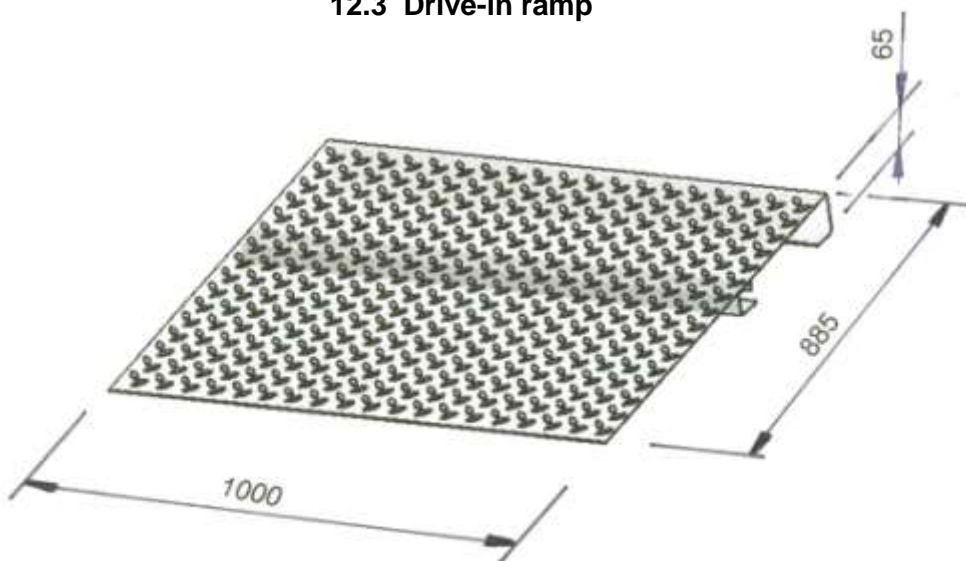
\*For double wing door is to be ordered pos. no. 2, for one wing door pos. no. 3

**12.2 Roof with 770 mm wide lighting strip**



**Picture no. 11**

**12.3 Drive-in ramp**



**Picture no. 12**

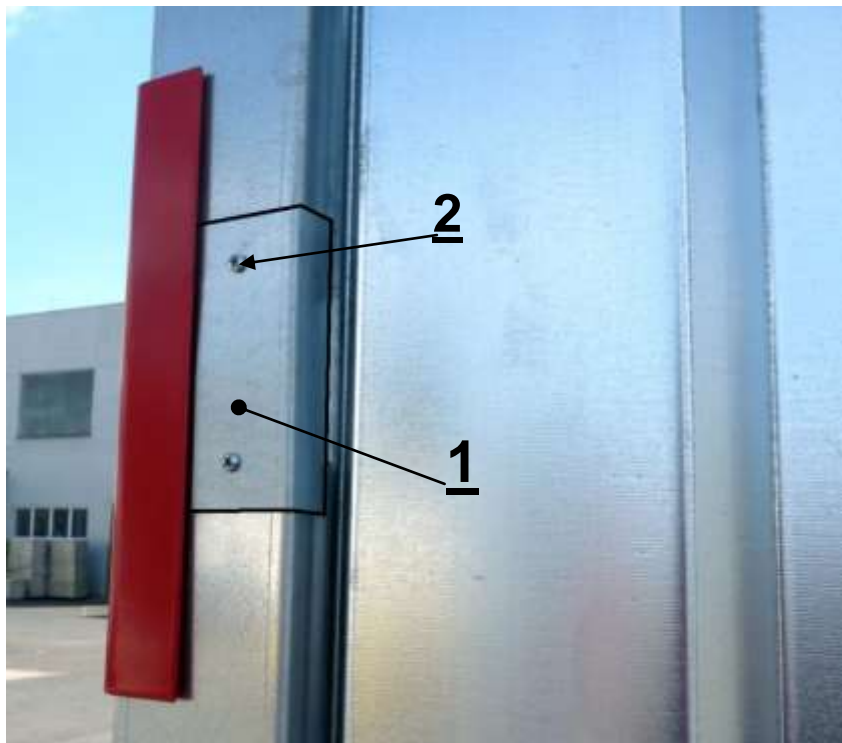
USER'S MANUAL AND SPARE PARTS CATALOGUE  
**QUICKSTORE DEMOUNTABLE  
CONTAINER KOVOBEL- HEIGHT 2600 mm**

---

12.4. Covering of opening between side wall and extension



Picture no. 13 Opening before covering



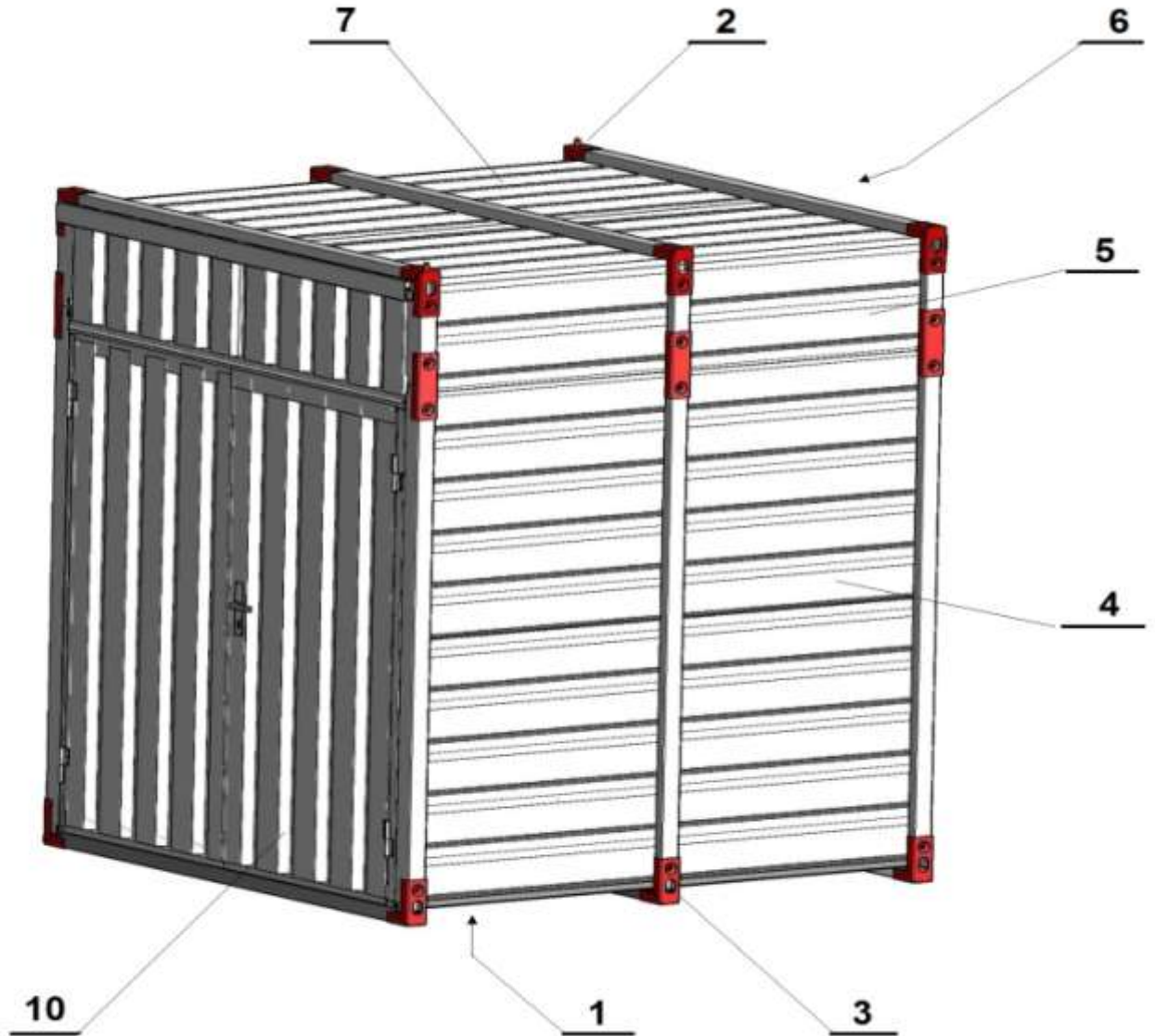
Picture no. 14 After covering

Pos.	Name of the Part	Catalogue number	Number of parts for 1 container
1	sheet corner	926 774	4
2	tapping screw TEX 4,2 x 9,5 mm	283 300	8



USER'S MANUAL AND SPARE PARTS CATALOGUE  
**QUICKSTORE DEMOUNTABLE  
CONTAINER KOVOBEL- HEIGHT 2600 mm**

**13. SPARE PARTS CATALOGUE**



**CONTAINER 3 m LONG**

POS.	NAME OF THE PART	CATALOGUE NUMBER	NUMBER OF PARTS PER 1 CONTAINER
1	floor	02146	1
2	corner angle with peg	01953	2
3	corner angle with opening	01952	10
4	side wall	01930	2
5	extention of side wall	921707	2
6	back wall	01932	1
7	roof	01933	1
8	shelving stand	01928	inside according to requirements
9	shelving holder	01927	inside according to requirements
10	door	01925	1

**QUICKSTORE DEMOUNTABLE  
CONTAINER KOVOBEL- HEIGHT 2600 mm**

**CONTAINER 4 m LONG**

POS.	NAME OF THE PART	CATALOGUE NUMBER	NUMBER OF PARTS PER 1 CONTAINER
1	floor	02147	1
2	corner angle with peg	01953	2
3	corner angle with opening	01952	14
4	side wall	01931	2
5	extention of side wall	921707	2
6	back wall	01932	1
7	roof	01934	1
8	shelving stand	01928	inside according to requirements
9	shelving holder	01927	inside according to requirements
10	door	01925	1

**CONTAINER 5 m LONG**

POS.	NAME OF THE PART	CATALOGUE NUMBER	NUMBER OF PARTS PER 1 CONTAINER
1	floor	02148	1
2	corner angle with peg	01953	2
3	corner angle with opening	01952	18
4	side wall	02140	2
5	extention of side wall	921707	2
6	back wall	01932	1
7	roof	02142	1
8	shelving stand	01928	inside according to requirements
9	shelving holder	01927	inside according to requirements
10	door	01925	1

**CONTAINER 6 m LONG**

POS.	NAME OF THE PART	CATALOGUE NUMBER	NUMBER OF PARTS PER 1 CONTAINER
1	floor	02149	1
2	corner angle with peg	01953	2
3	corner angle with opening	01952	18
4	side wall	02144	2
5	extention of side wall	921707	2
6	back wall	01932	1
7	roof	02143	1
8	shelving stand	01928	inside according to requirements
9	shelving holder	01927	inside according to requirements
10	door	01925	1